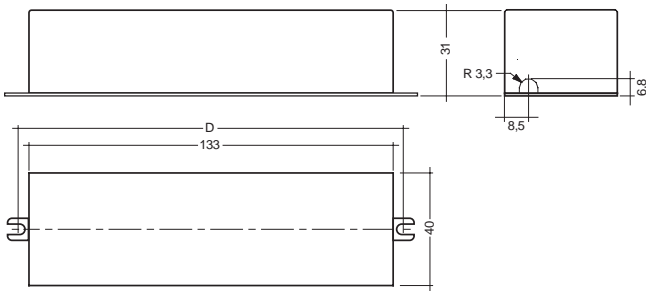
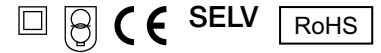


LED 0030 K700 30 VA 700 mA
Constant current converter



- constant current converter 700 mA for powerLED EOS modules
- constant output current 700 mA DC; $\pm 5\%$
- universal supply voltage range
- SELV
- over-temperature protection
- overload protection by limitation of output power

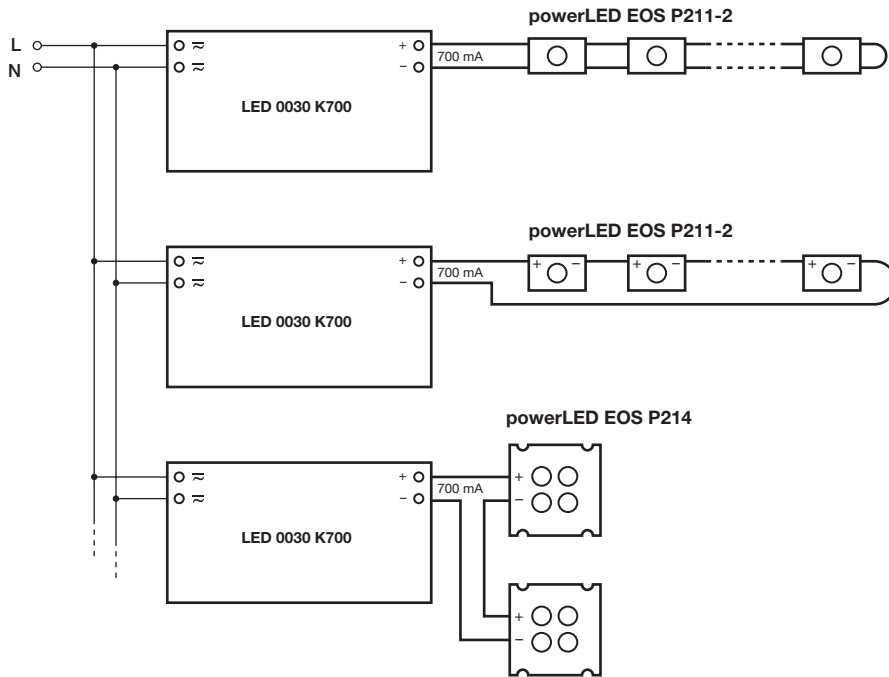
- connection cable with wire end ferrules length: approx. 500 mm
- identification of polarity secondary: + red / - black
- white metal housing – potted
- protection rating IP67

packing unit:
box of 20

designed in accordance to:
EN 55015
EN 61000-3-2
EN 61347-2-13
EN 61547

Type		LED 0030 K700 30 VA 700 mA
article number		241379073
primary voltage	VAC	120/230/240
primary voltage range	VAC	100–264
primary voltage range	VDC	120–240
input current @ 230 V 50 Hz	A	0.2–0.5
frequency	Hz	0/50/60
efficiency at load > 5 W	%	> 75
output current	ADC	0.700
secondary voltage	VDC	48
output power	W	30
ambient temperature t_a	$^{\circ}\text{C}$	-25 \rightarrow +50
max. case temperature t_c	$^{\circ}\text{C}$	90
weight	g	300
dimensions L x W x H	mm	133 x 40 x 31
fixing centres (D)	mm	142

Wiring diagram LED 0030 K700 with powerLED EOS modules



Number of powerLED EOS modules

Colour	P211-2	P214	P215	P216
red, amber	16	n.A.	n.A.	n.A.
green, blue, white	12	3	1	1



powerLED EOS modules must be wired in series connection to the constant current converter LED 0030 K700.